



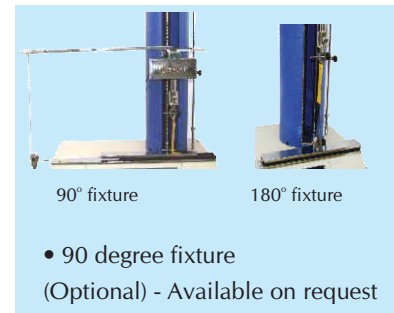
Peel Strength Tester



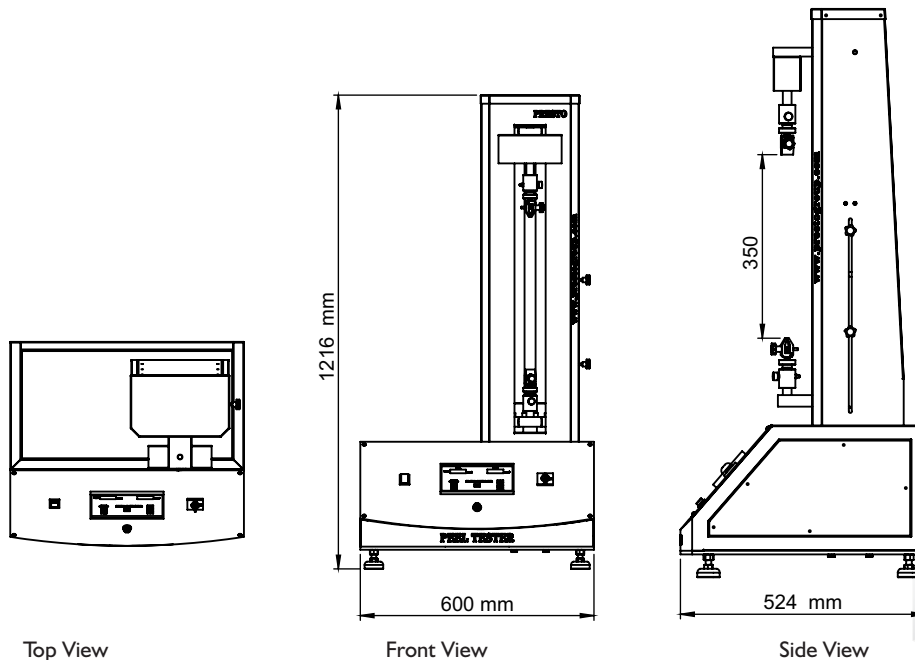
Model No. PPSS-2020 S

Peel Strength Tester is a consistent tool to quantify the permanence of adhesion or peel ability of self-adhesive pressure sensitive materials. PRESTO Peel Adhesion Tester is manufactured under test standard ASTM D 903. Available in Computerized model also.

- Microprocessor based LCD display for accurate test results $\pm 1\%$
- After completion the test auto home return
- Highly accurate test results under force.
- Strong gripping clamps to perform Peel test at 180°.
- Bright LCD display
- Inbuilt calibration facility
- Feather touch controls



Peel Strength Tester reveals the peeling strength force required to remove pressure sensitive coated material, which has been applied to standard test specimen under specified conditions from the plate at a specified angle and speed.



Key Specifications:

Load Cell Capacity	20 Kgf
Display	Digital LCD Display
Accuracy	± 1% at full load (with master load)
Least Count/Resolution	0.002 Kgf
Power	220V , Single phase, 50 Hz
Test Speed	300 mm/min ± 5%
Memory	After perform the test max. value save in memory
Grip Separation	Min. 25 mm & Max. 350 mm
Anti-vibration pad	Specially designed to reduce the effect of the vibration

Highlights:

Auto Test Stop	Yes
Auto Home Return	Yes
Over Load Safety	Yes (over load protection available)
Safety Switch	Yes
Material	Mild Steel
Finish	Powder coated Havel Gray & Blue combination finish and bright chrome / zinc plating for corrosion resistant finish
Dimensions	600 x 524 x 1216 mm

The Peel Strength tester measures the peeling strength required to peel of the laminates.

Optional Features :

- Peel Tester Digital cum computerized models and Digital model (with or without printer facility) also available.
- VFD drive multi-speed facility also available (30-300 mm / min.)
- 90 Degree fixture and 180 Degree fixture available on request (Optional)

Thank you customers for choosing us as your partners in growth !



*All the above logos are the sole property of their respective owners and are used purely for depiction purposes only.

OUR OTHER PRODUCTS :-

